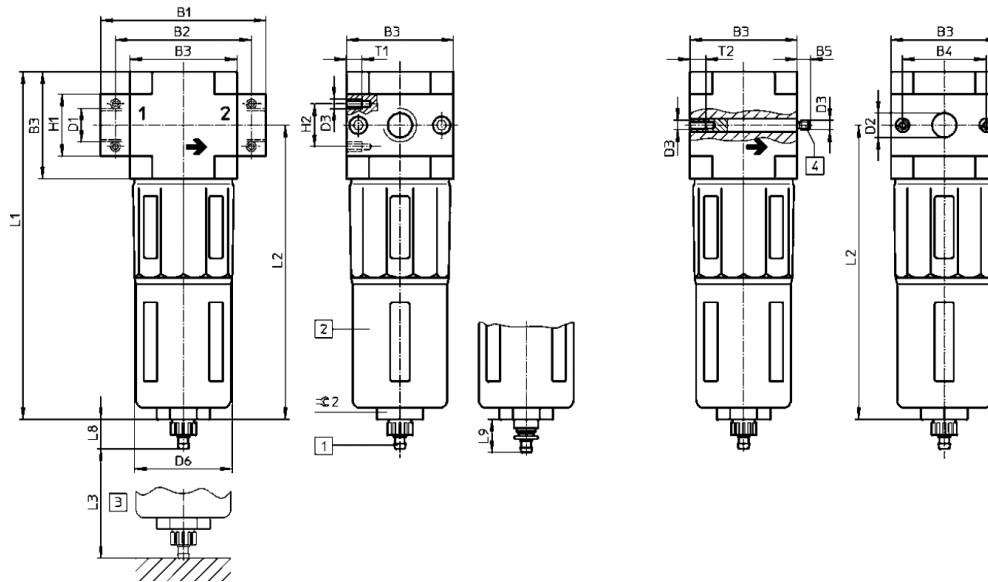
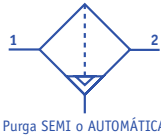
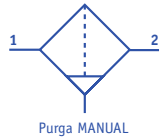


UNIDAD DE TRATAMIENTO DE AIRE HASTA 12 BAR

SERIE FE - Filtro



MEDIDAS FILTRO:

Modelo	caudal (L/min)	B1	B2	B3	B4	D1	D3	D6Ø	H1	H2
FEF-01-MINI	1000	64	52	40	30	G1/8	M4	38	20	11
FEF-02-MINI	1200	64	52	40	30	G1/4	M4	38	20	11
FEF-03-MINI	1400	70	52	40	30	G3/8	M4	38	20	11
FEF-02-MIDI	1900	85	70	55	43	G1/4	M5	52	32	22
FEF-03-MIDI	2700	85	70	55	43	G3/8	M5	52	32	22
FEF-04-MIDI	3000	85	70	55	43	G1/2	M5	52	32	22
FEF-06-MIDI	3000	85	70	55	43	G3/4	M5	52	32	22
FEF-04-MAXI	4400	96	80	66	46	G1/2	M5	65	32	22
FEF-06-MAXI	5000	96	80	66	46	G3/4	M5	65	32	22
FEF-10-MAXI	5300	116	91	66	46	G1	M5	65	40	22

Modelo	L1	L2	L3	L8	L9	T1	2
FEF-01-MINI	144	124	60	15	19	7	22
FEF-02-MINI	144	124	60	15	19	7	22
FEF-03-MINI	144	124	60	15	19	7	22
FEF-02-MIDI	179	151	80	15	19	8	24
FEF-03-MIDI	179	151	80	15	19	8	24
FEF-04-MIDI	179	151	80	15	19	8	24
FEF-06-MIDI	179	151	80	15	19	8	24
FEF-04-MAXI	203	170	90	15	19	8	24
FEF-06-MAXI	203	170	90	15	19	8	24
FEF-10-MAXI	203	170	90	15	19	8	24